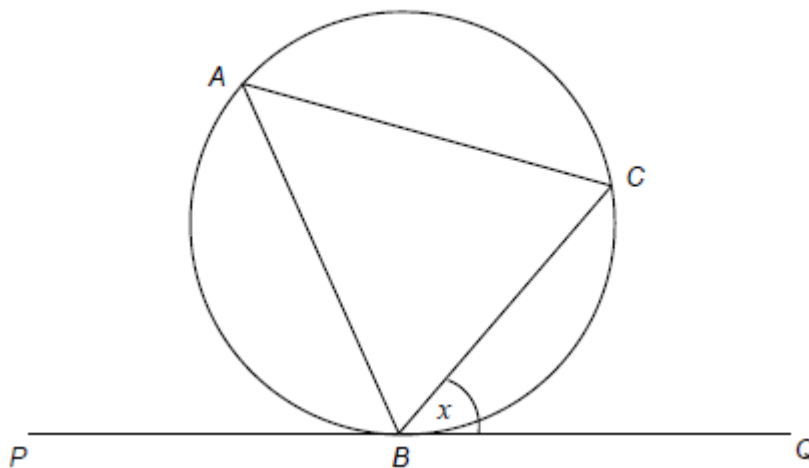


Q1.

A , B and C are points on a circle.

- BC bisects angle ABQ .
- PBQ is a tangent to the circle.

Not drawn accurately



Angle $CBQ = x$

Prove that $AC = BC$

.....

.....

.....

.....

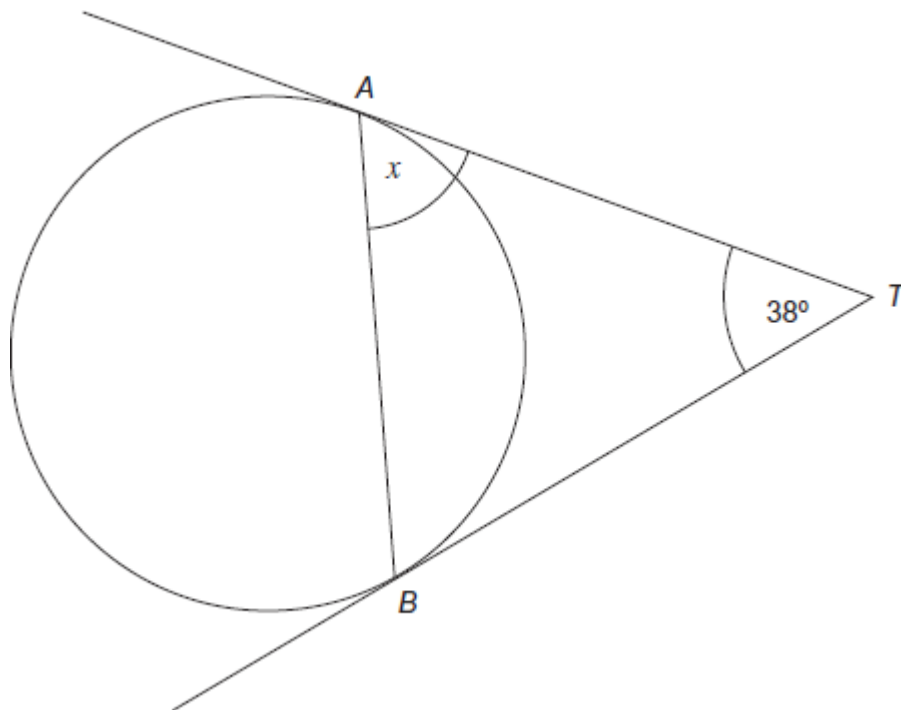
.....

(Total 3 marks)

Q2.

- (a) AB is a chord of the circle.
 TA and TB are tangents to the circle.

Not drawn accurately



Work out the size of angle x .

.....

.....

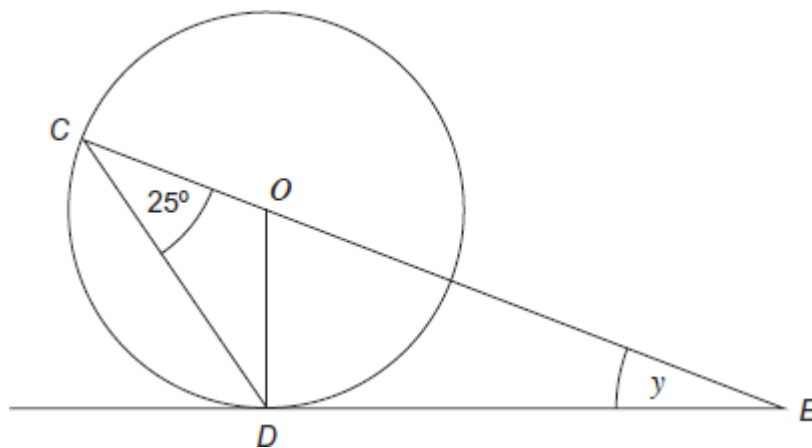
.....

Answer degrees

(2)

- (b) The diagram shows a circle, centre O .
 C and D are points on the circumference.
 COE is a straight line.
 DE is a tangent.

Not drawn accurately



Work out the size of angle y .
 You **must** show your working, which may be on the diagram.

.....

.....

.....

.....

.....

.....

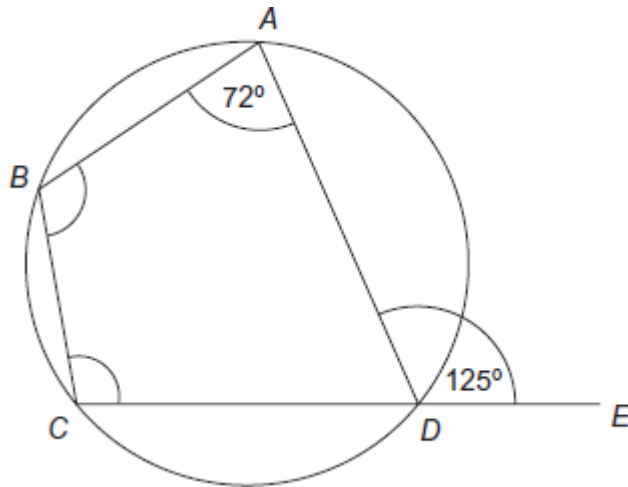
Answer degrees

(3)
 (Total 5 marks)

Q3.

Points A , B , C and D are on the circumference of the circle.
 CDE is a straight line.

Not drawn accurately



- (a) Work out the size of angle BCD .
Give a reason for your answer.

Answer degrees

Reason

(2)

- (b) Work out the size of angle ABC .

.....

Answer degrees

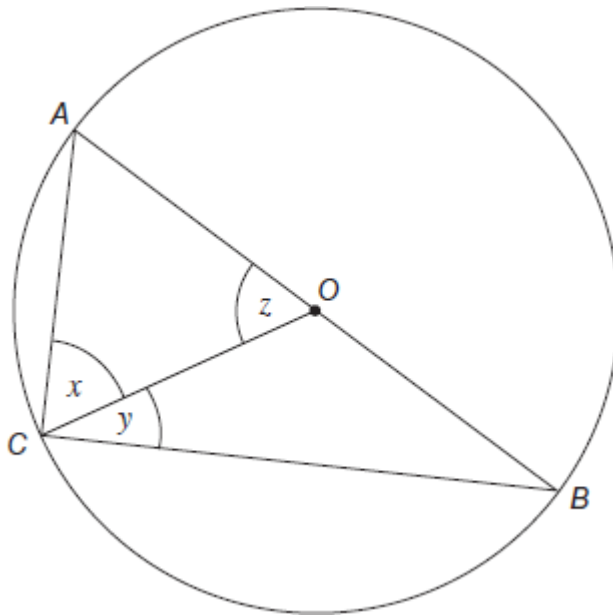
(1)

(Total 3 marks)

Q4.

- (a) A , B and C are points on a circle, centre O .

Not drawn accurately



AB is a diameter.

The ratio of the size of angle x to the size of angle y is

$$x : y = 5 : 1$$

Work out the size of angle z .

.....

.....

.....

.....

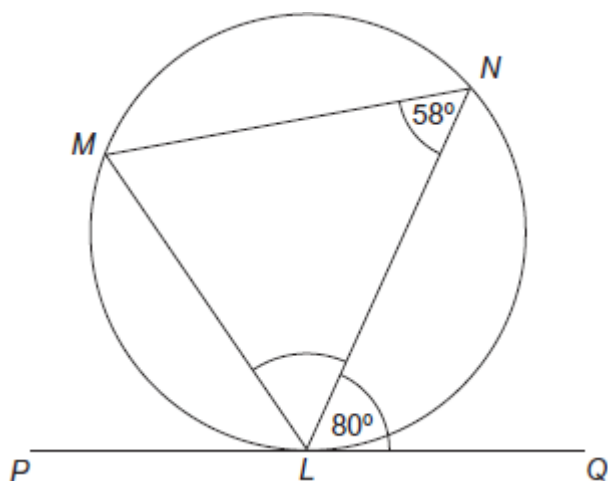
.....

Answer degrees

(3)

- (b) L , M and N are points on a circle.
 PLQ is a tangent.

Not drawn accurately



Work out angle MLN .

.....

.....

.....

Answer degrees

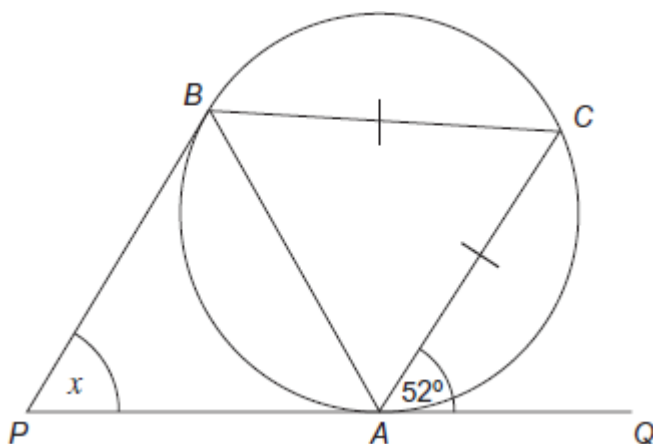
(3)
(Total 6 marks)

Q5.

PAQ and PB are tangents to the circle.

$AC = BC$

Not drawn accurately



Work out the size of angle x .

You **must** show your working which may be on the diagram.

.....

.....

.....

.....

.....

.....

.....

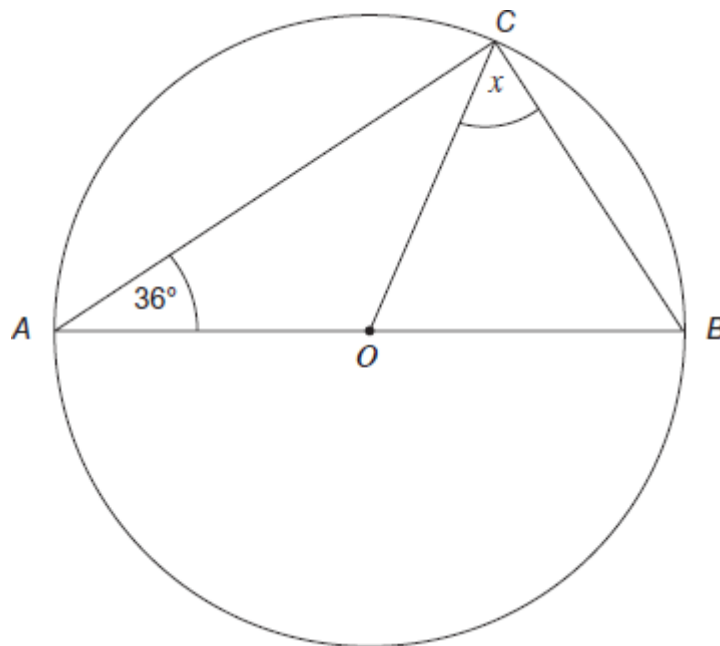
.....

Answer degrees

(Total 4 marks)

Q6.(a) The diagram shows a circle, centre O , with diameter AB .

Not drawn accurately



Work out the size of angle x
 You **must** show your working, which may be on the diagram.

.....

.....

.....

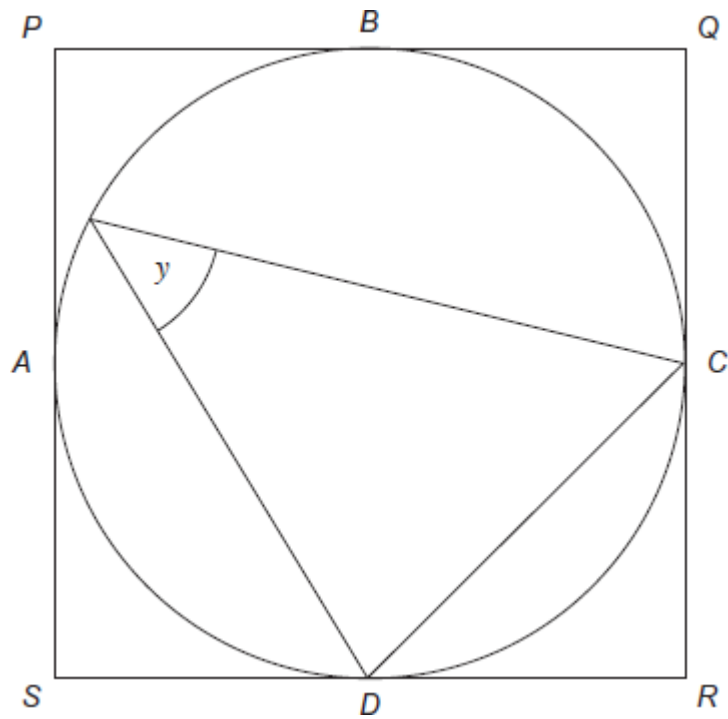
.....

Answer degrees

(2)

- (b) The diagram shows a circle touching a square at A , B , C and D .

Not drawn accurately



Give reasons to show why $y = 45^\circ$

.....

.....

.....

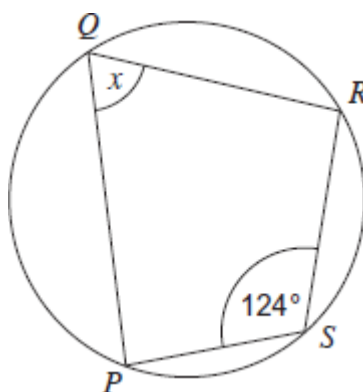
.....

.....

(3)
(Total 5 marks)

Q7.(a) P, Q, R and S are points on the circumference of the circle.

Not drawn accurately



Work out the size of angle x .

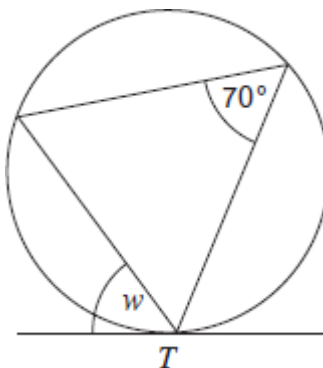
.....

Answer degrees

(1)

(b) The diagram shows a circle and a tangent at T .

Not drawn accurately



Write down the size of angle w .
Give a reason for your answer.

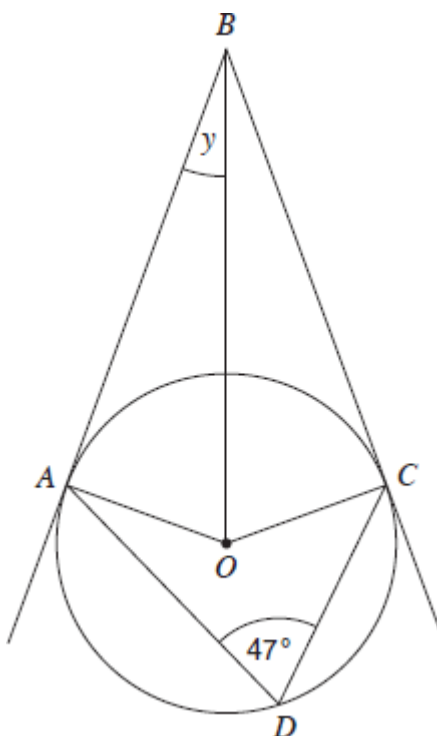
Answer degrees

Reason

(2)

- (c) A , C and D are points on the circle, centre O .
 BA and BC are tangents to the circle.

Not drawn accurately



Work out the size of the angle y .

.....

Answer degrees

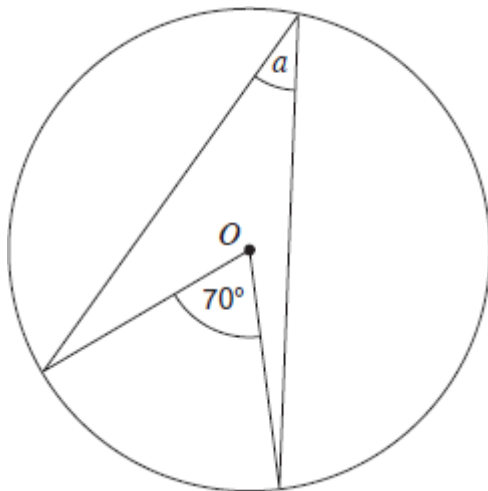
(3)
 (Total 6 marks)

Q8.

- (a) O is the centre of the circle.

Write down the size of angle a .

Not drawn accurately

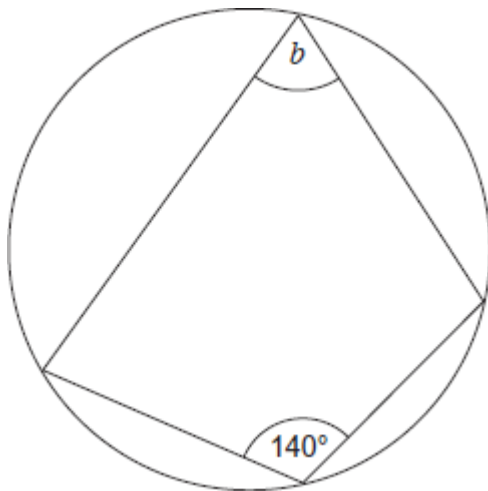


Answer degrees

(1)

- (b) Write down the size of angle b .
Give a reason for your answer.

Not drawn accurately



Answer degrees

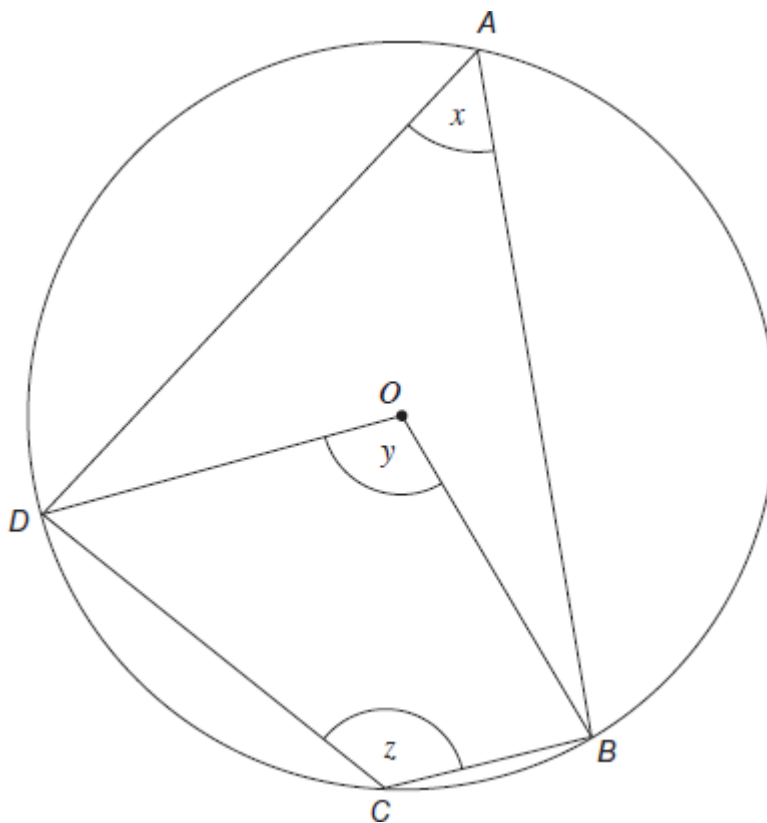
Reason

.....

(2)

(c) A, B, C and D are points on a circle, centre O .

Not drawn accurately



$$x + y + z = 290^\circ$$

Work out the values of x, y and z .

.....

.....

.....

.....

$x =$ degrees

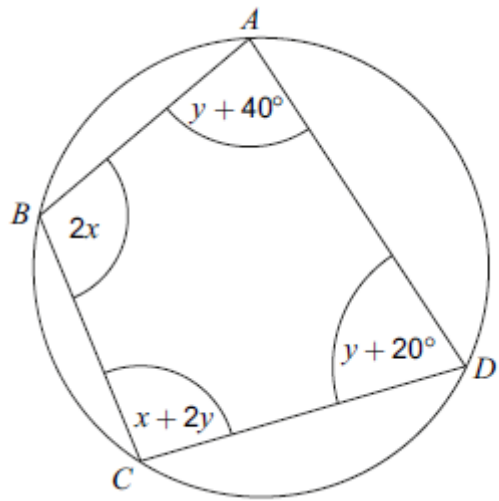
$y =$ degrees

$z =$ degrees

(3)
(Total 6 marks)

Q9.

$ABCD$ is a cyclic quadrilateral.



Not drawn accurately

Work out the values of x and y .

.....

.....

.....

.....

.....

.....

.....

.....

.....

.....

.....

.....

.....

.....

.....

.....

.....

.....

.....

.....

.....

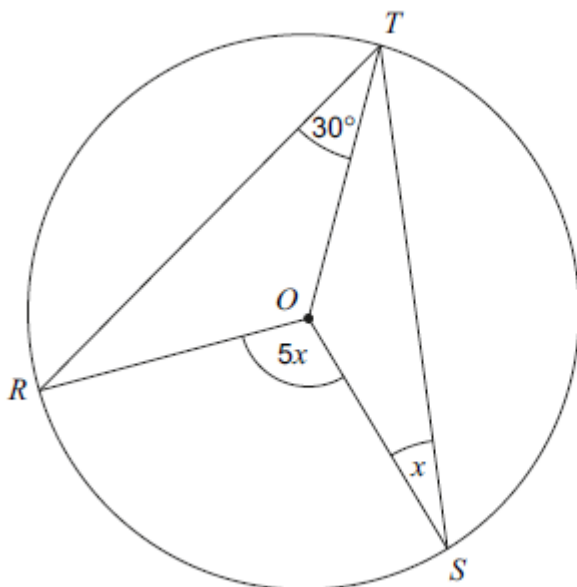
.....

$x = \dots\dots\dots$, $y = \dots\dots\dots$

(Total 5 marks)

Q10.

R , S and T are on the circumference of a circle, centre O .



Not drawn accurately

(a) Give a reason why angle $OTS = x$

.....

(1)

(b) Work out the value of x .

.....

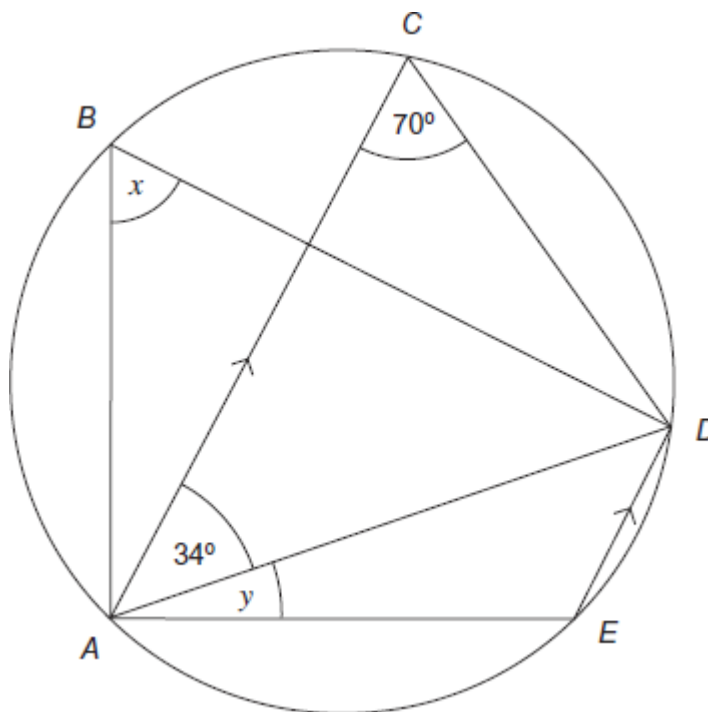
Answer..... degrees

(3)
 (Total 4 marks)

Q11. A, B, C, D and E are points on a circle.

AC is parallel to ED .

Not drawn accurately



(a) Write down the size of angle x .

Answer degrees

(1)

(b) Work out the size of angle y .

.....

.....

.....

.....

Answer degrees

(3)
(Total 4 marks)

